

INSTALLATION MANUAL

IMPORTANT INSTALLATION & OPERATING INSTRUCTIONS

To be provided to the owner/user



CUSTOMER SERVICE

Contact Customer Service at 1-877-249-2388

Monday – Friday 9:00 – 5:00 EST

INSTALLATION MANUAL



CONGRATULATIONS!

Thank you for choosing ACCESS TUB, the world's best walk-in bathtub. Our mission at ACCESS TUB is to help you maintain independence over your essential bathing needs and to improve your overall quality of life.

ACCESS TUB has designed the most accessible, most comfortable, walk-in bathtub on the market today. Until recently if you were physically impaired or just had difficulty getting in and out of a bathtub it was almost impossible for you to take a bath.

ACCESS TUB specializes in accessibility and security. Safe transfers in and out of the bath are the most critical part of bathing safely. ACCESS TUB is committed to providing a complete bathing experience for the elderly and the mobility impaired.

Again, thank you for your purchase.

ACCESS TUB

100 East Mineola Avenue, Valley Stream New York 11580

Customer Support: 1-877-249-2388 Fax: 1-866-560-1060

INSTALLATION MANUAL

Confirmation & Product Registration Information

IMPORTANT:

To ensure that your warranty is registered and confirmed with the manufacturer, please take a few moments to complete, sign and return the Product Registration Card (below) within 30 days of date of purchase.

WARRANTY CONFIRMATION:

By returning this Product Registration Card we confirm the date of purchase for your new product. This confirmation will allow ACCESS TUB to process any warranty claims.

PURCHASE REGISTRATION:

The information provided on Product Registration Card will be kept on file with ACCESS TUB as an official Purchase Registration.

While completing the card, please take time to also fill out the owner information to the right, as this will help expedite any warranty claim, should the need arise.

Owner Information	
Model Name	_____
Date of Purchase	_____
Dealer	_____
Installer	_____

ACCESS TUB

Product Registration Card

To ensure that your warranty is registered with ACCESS TUB complete, sign and return this registration card within 30 days of the purchase. NOTE: Your warranty will not be recognized by ACCESS TUB unless this card is fully completed and returned to:

ACCESS TUB --100 East Mineola Avenue, Valley Stream New York 11580

Name _____ Address _____

City/State/Zip _____ Phone _____

Date Purchased _____ Dealer _____

Address _____

Tub Model _____ Color _____

Installed by _____ Phone _____

Address _____ City _____ State _____ Zip _____

I have read the ACCESS TUB Owner's Manual carefully and understand and agree that any installation, Operation or maintenance of the walk-in bath tub must be done strictly in accordance with Instructions and guidelines contained in the ACCESS TUB owner's manual and Installation Guide.

Signature _____ Date _____

INSTALLATION MANUAL

TABLE OF CONTENTS

GENERAL INFORMATION.....Page 5

SAFETY INSTRUCTIONS.....Page 6

UNPACKING THE UNITPage 7

TESTING THE TUB..... Page 8

INSTALLATION PREPARATIONPage 9

INSTALLATION PROCEDURES.....Page 10

INSTALLATION SCHEMATICS.....Page 11

OPERATING INSTRUCTIONS.....Page 12

CLEANING AND MAINTENANCE.....Page 13

WARRANTY..... Page 14-16

INSTALLATION MANUAL

SAVE THIS MANUAL: RETAIN FOR CONSUMER USE

GENERAL INFORMATION

READ THESE INSTRUCTIONS COMPLETELY BEFORE INSTALLING THE PRODUCT.

IF YOU HAVE ANY QUESTIONS CALL 1-877-249-2388.

YOU MUST FOLLOW ALL INSTRUCTION IN THIS MANUAL. FAILURE TO DO SO WILL RESULT IN YOUR ASSUMPTION OF ANY LIABILITY THAT MAY OCCUR. FAILURE TO COMPLY WITH ALL INSTRUCTIONS CAN RESULT IN PRODUCT AND PERSONAL INJURY

RESPONSIBILITY OF THE INSTALLER

THE INSTALLER MUST INSPECT AND WATER TEST THE PRODUCT PRIOR TO INSTALLATION TO ENSURE THE UNIT IS FREE OF DEFECT OR DAMAGE. IN THE EVENT OF A PROBLEM, THE UNIT MUST NOT BE INSTALLED. IF THE CRATE OR PRODUCT HAS BEEN DAMAGED PLEASE CALL IMMEDIATELY.

THIS PRODUCT IS DESIGNED TO BE INSTALLED BY A LICENSED TRADESPERSON.

LICENSED PLUMBERS AND ELECTRICIANS SHOULD BE EMPLOYED TO INSURE PROPER INSTALLTION. INSTALLERS ASSUME ALL LIABILITY FOR THE CORRECT INSTALLATION PROCEDURES.

ONLY ACCESSORIES AUTHORIZED BY THE MANUFACTURER SHOULD BE USED WITH THIS PRODUCT.

IMPORTANT SAFETY INSTRUCTIONS:

WARNING! WHEN USING THIS PRODUCT, BASIC PRECAUTIONS SHOULD ALWAYS BE FOLLOWED. READ AND FOLLOW ALL INSTRUCTIONS PERTAINING TO RISK OF FIRE, ELECTRIC SHOCK, OR INJURY TO PERSONS
DANGER: TO REDUCE THE RISK OF INJURY, DO NOT PERMIT CHILDREN TO USE THIS PRODUCT UNLESS THEY ARE CLOSELY SUPERVISED AT ALL TIMES.

INSTALLATION MANUAL

IMPORTANT SAFETY INSTRUCTIONS:**WARNING!**

• USE THIS UNIT ONLY FOR ITS INTENDED PURPOSES OR AS DESCRIBED IN THIS MANUAL. USE ONLY ATTACHMENTS RECOMMENDED BY THE MANUFACTURER.

Read and Follow All Instructions

- DANGER: To reduce the risk of injury, do not permit children or persons with infirmities to use this product unless they are closely supervised at all times.
- To avoid injury, exercise care when entering or exiting the Meditub.
- The maximum recommended temperature is 104 degrees F. (20 degrees C.). Fifteen minutes per soak is the recommended maximum time at 104 degrees F., prolonged immersion in water hotter than 104 degrees F. may induce **Hyperthermia** which is an increase in body temperature. This can be a medically serious condition and all bath users are cautioned against lengthy immersion at high water temperatures. Should you become light-headed, dizzy, or nauseous, immediately get out of the bath and cool off.
- Never drop or insert any objects into any openings.
- Risk of electrical shock; connect only to a separate circuit protected by a ground fault circuit interrupter (GFCI) on all plug in models.
- WARNING: Risk of electric shock; do not permit electric appliances (such as a hair dryer, lamp, telephone, radio or television) anywhere near this hydro massage bathtub.
- All units with plug in motors and heaters must be connected to a circuit interrupter (GFCI). Such a circuit is provided by the installer and should be tested on a routine basis. To test the GFCI push the test button; the GFCI should interrupt power. Push the RESET button; power should be restored. If the GFCI fails to operate in this manner, there is a ground current flowing, indicating the possibility of an electrical shock. Do not use this unit. Disconnect the unit and have the problem corrected by a qualified service representative before using.
- **All units come with anywhere from one to three NEMA 1 plugs** to be plugged into a wall outlet that is connected to a built-in circuit breaker and must be connected to separate circuit with a **20 Amp breaker** run directly from breaker panel box.
- **Risk of electrical shock**; all pumps and heaters must be connected to a ground fault Circuit interrupter (GFCI) protected outlets on plug in models
- Traction enhanced-textured tub bottom must remain clean to minimize slippage.
- Avoid use of alcohol, drugs, or medication while using your Meditub
- Consult your physician before using the whirlpool/air system if you are pregnant and/or have heart conditions.
- All units must be water tested before installation.

- **Please note that all local electrical codes shall be followed first and foremost**

INSTALLATION MANUAL

UNPACKING THE UNIT

- Inspect the carton, if carton damage is noted: take a picture if possible, notify the deliverer and call your dealer.
- **NEVER LIFT THE TUB BY THE PLUMBING.** Doing so can result in leaks, for which the installer is responsible.
- Immediately inspect the unit for damage even if there is no carton damage. Once the unit is installed surface damages will be assumed to be installation related if not reported at this point.
- Installers are responsible for damage that occurs once the unit is placed in its niche.
- Inspect the plumbing for any loose fittings.

INSTALLATION MANUAL

TESTING YOUR ACCESS TUB BEFORE INSTALLATION

1. All ACCESS TUBS are 100% water tested at the factory and certified to be free of leaks. Transportation and mishandling may cause leaks. It is necessary to test the bath while there is access to all sides of the bath.

2. This unit should be both static and operationally tested with water. It is best to test the unit outside by filling with a garden hose.
 - A. Place the tub on a completely flat surface in an area where it may be drained after testing.

 - B. Close the drain and fill the tub until it is above the two sensors. If it a soaker fill up to normal water height level.

 - C. Allow the water to stand in tub for 30 minutes and then inspect all plumbing and seals for leaks.

 - D. If tub is jetted, supply electric to unit and run for 10 minutes and inspect for leaks. Inspect the unions around the pump; if leaks persist from the unions after tightening; loosen the unions and insure that the O-ring is seated properly.

 - E. Insure all jets are open and working.

NOTE: If the pumps do not operate check the breaker to insure power is on and the cable connecting the controls to the pump is attached.

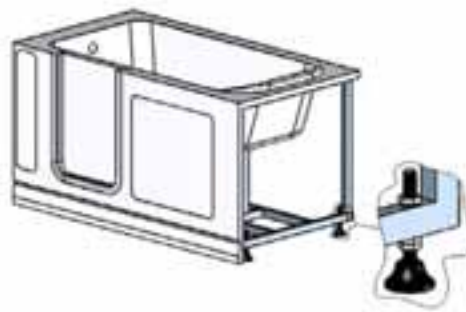
Do not run any pumps or heaters unless the tub is filled with water to proper level. Damage due to dry running pumps is not covered under warranty.

Failure to perform these tests before installation will make the installer liable for future repair costs.

INSTALLATION MANUAL

INSTALLATION PREPARATION

1. Check the floor area where the tub is to be installed.
 - a. Clean area of any debris or trash.
 - b. Use a 5 or 6-foot level and determine if the floor is level. If the floor is not level, adjust all leveling feet to perfectly level the tub. **Note: it is important that all leveling feet are completely touching the floor and level for the door system to work properly.**
2. Check to insure that the drain rough has been placed at the proper location.
3. Insure that the proper electrical service has been installed at the pump location. See electrical requirements below.



Leveling Feet

ELECTRICAL REQUIREMENTS

Equipment utilized on these baths requires individual dedicated electrical service. Service must be a dedicated 20 amp, 120 volt service that is GFCI protected.

ELECTRICAL INSTALLATION

All electrical connections must be carried out by a certified electrician in accordance with local electrical requirements and codes.

INSTALLATION MANUAL

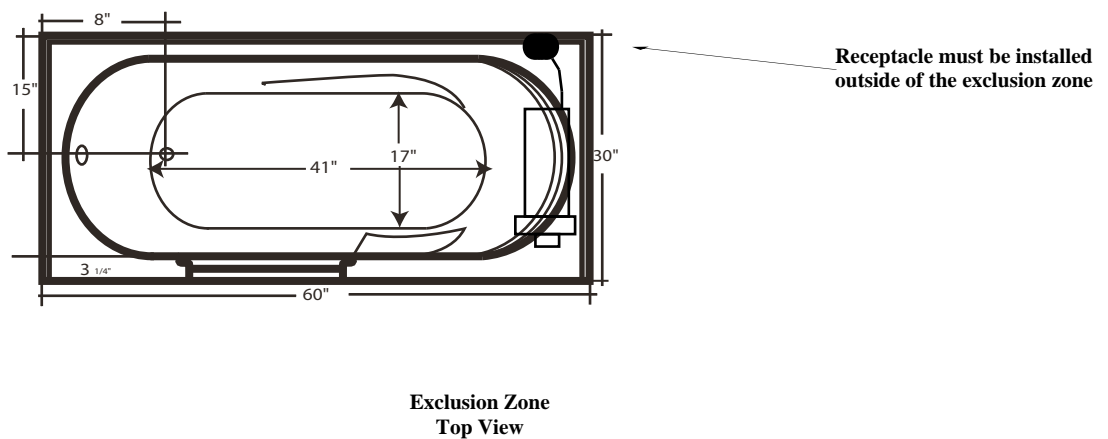
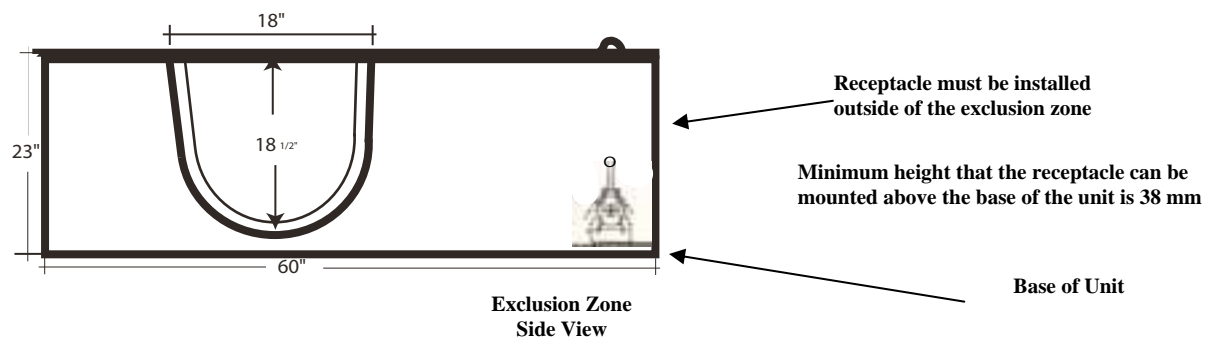
INSTALLATION PROCEDURES:

WARNING: When installing jet massage baths basic precautions should be followed, including the following:

- **Danger:** Risk of electrical shock. Connect only to a separate circuit protected by a ground fault circuit interrupter (GFCI) on plug in units.
 - Installation must provide access for servicing pump/motor (all Tubs come with an access panel for the pump/motor and faucet).
1. Install tub waste/overflow according to instructions provided with fitting.
 2. Install faucet. If spout and supply lines are to be installed on deck of tub, mark the locations and drill pilot holes from finished side of product.
 3. Standard installation - After framing is complete (see attached diagrams), set product in place to check fit and make certain that the tub can be properly leveled. (Caution: if walk-in bathtub is not resting on all leveling feet, water will not drain properly and may cause the door to leak).
 4. Verify the product is completely level by checking tub deck surface and ensure all leveling feet are touching the ground.
 5. Electrical connection is made pre instruction on specified models.
 6. After plumbing and electrical connections have been made the tub should be cleaned of dirt and debris.
 7. Installation is not complete until the bath has been water tested in place.

INSTALLATION MANUAL

Installation Instructions for the acceptable area for installing the receptacle



INSTALLATION MANUAL

Receptacle Installation Instructions

3. Align arrows on back of base with arrows on adapter plate. Snap into place.



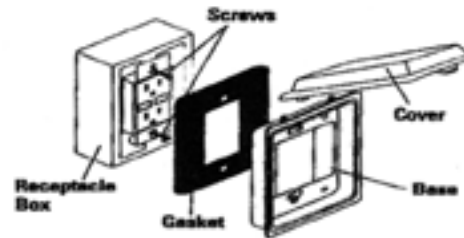
ASSEMBLY:

Easy Install (Diagram shows GFCI vertical installation.)

1. Configure base and cover.
2. Back out receptacle box screws (Do not remove screws).
3. Mount gasket over screws.
4. Place base over screws and tighten screws.
5. Snap on cover.

NOTE: Burrs may be removed with a utility knife or file. If cover is to be installed on other than a smooth flat surface, use a 1/4" bead of silicone or equivalent caulking.

WARNING: Improper installation of any electrical device can cause serious injury or death.



3. Aligner les flèches sur le dos du socle avec les flèches sur la plaque de l'adaptateur. Enclencher en place.

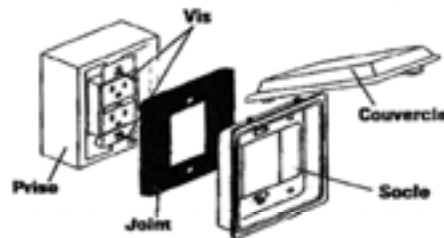


MONTAGE:

Montage Facile (Diagramme montre le montage vertical GFCI.)

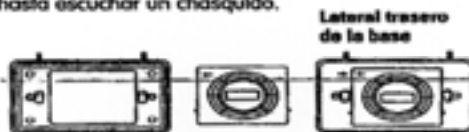
1. Configurer socle et couvercle.
2. Sortir les vis de la boîte de prise (Ne pas enlever les vis).
3. Placer le joint sur les vis.
4. Placer le socle sur les vis et serrer les vis.
5. Enclencher le couvercle.

NOTE: On peut enlever les bavures avec une lime ou un couteau. Si on doit monter le couvercle sur une surface qui n'est pas lisse, utiliser une perle de 1/4 po. (6,35 mm) de silicone ou l'équivalent de calfeutre.



AVERTISSEMENT: Le montage incorrect d'un appareil électrique peut causer des blessures sérieuses ou la mort.

3. Alinee las flechas de la parte trasera de la base con las flechas de la placa del adaptador. Encájela en su lugar hasta escuchar un chasquido.

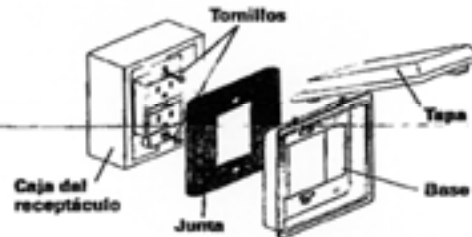


ENSAMBLE:

Instalación Fácil (El diagrama muestra la instalación vertical del GFCI.)

1. Configure la base y la tapa.
2. Retire los tornillos de la caja del receptáculo (No se enlaven los vis).
3. Monte la junta sobre los tornillos.
4. Coloque la base sobre los tornillos y ajuste los tornillos.
5. Encaje la tapa.

NOTA: Las rebabas se pueden quitar con un cuchillo multi-uso o una lima. Si se va a instalar la tapa en otra superficie que no sea suave y plana, utilice un cordón de silicona de 1/4" (6,35 mm) o un calafateado equivalente.

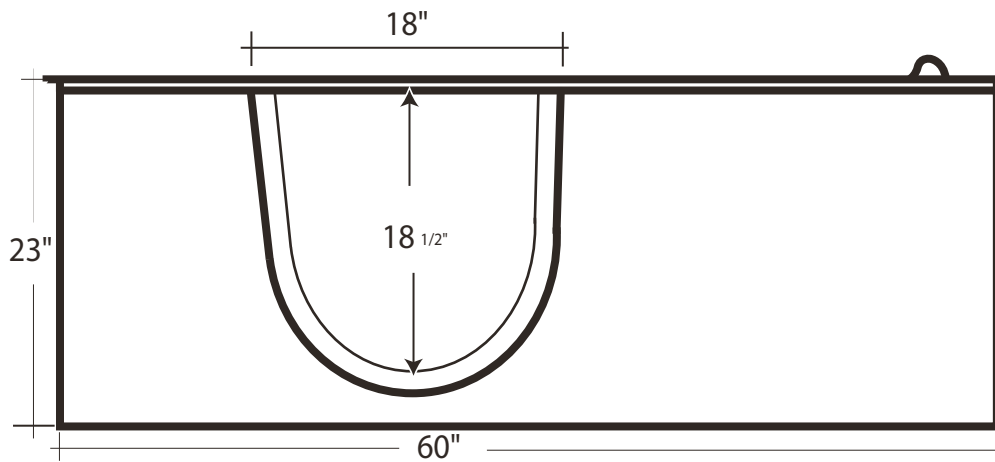
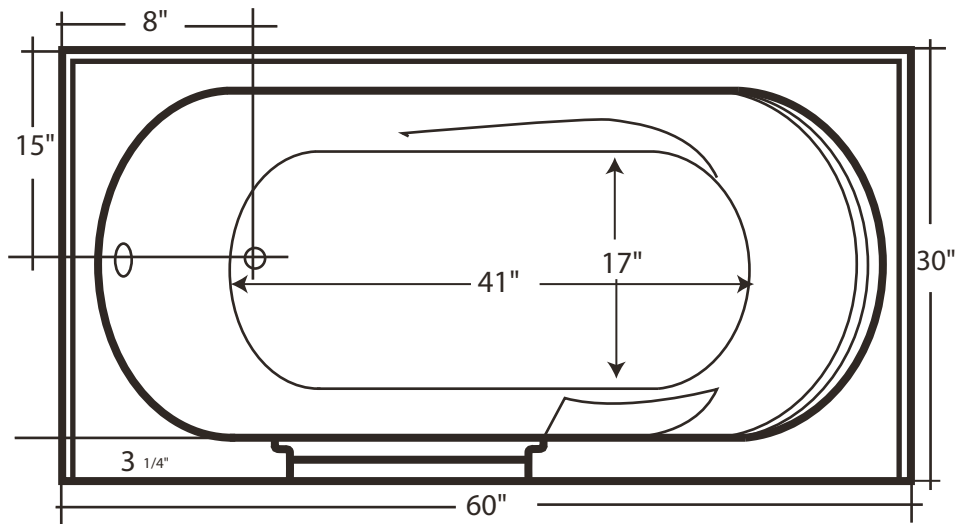


ADVERTENCIA: La instalación incorrecta de cualquier dispositivo eléctrico puede producir lesiones graves o la muerte.



INSTALLATION MANUAL

INSTALLATION
SCHEMATICS



INSTALLATION MANUAL

Control Button Operation

1, **Button one** is the on and off switch for the water jets and heater, please note that the heater is not adjustable, it will only run when the water jets are on and is used Only! To maintain water temperature.

6 AIR JETS
3 AREAS OF 2 Jets
Each



All units come with one
NEMA 1 plug



INSTALLATION MANUAL

OPERATING INSTRUCTIONS:

1. Enter the ACCESS TUB, close the door and fill the bath to the correct water level before you activate the pump.
2. The pump will be activated by the on/off control on the operation pad.
3. Adjust the direction of each jet to your liking by moving the nozzle for direction.
4. Adjust the flow of the jets by turning the jet nozzle to the left to increase the flow of water. Turning the nozzle to the right will shut the flow of water.
4. If any factory installed fittings are removed, do not operate the unit. A safety hazard may be present.
5. Do not use bubble bath when any pumps are operating.
6. Bath oils may be used; however their frequent use will require more frequent purging/cleaning of the systems.
7. Whirlpool systems are plumbed so that water will drain from the plumbing after each use.
8. There are no user serviceable parts located under the tub.

CLEANING AND MAINTENANCE:

Pump and pipe circulation system should be flushed before first use and on a monthly basis when product is under normal use. Below are the recommended procedures for cleaning:

- **Do not run whirlpool dry.** Fill the tub with hot water 2-3 inches above the jets and add 2-3 teaspoons of low foaming detergent such as dishwashing machine detergent.
- Switch on whirlpool and run for 10 minutes.
- Drain tub completely.
- Fill tub with cold water above jets.
- Switch on whirlpool and run for 15 minutes.
- Drain tub completely.

Do not use abrasive cleaners as they will scratch and dull the surface of the tub. Plaster can be removed using a wooden STICK. **DO NOT USE METAL SCRAPER, WIRE BRUSHES OR WATER BARRIER WALLBOARD OR OTHER HARSH ABRASIVE TOOLS.**

Usually a mild detergent will remove construction debris. More stubborn debris may be removed with denatured alcohol.

INSTALLATION MANUAL

Warranty

Effective as of June 1, 2007

Section I.

This limited lifetime warranty is extended to the first user to be free from defects in workmanship and material under normal use and conditions for life from the date of the original purchase. This warranty relates to all fitting and components included with the tub from the manufacturer. The bathtub shell, frame and finish are covered by 10 year warranty. The finish warranty does not apply to fading, cracking, delaminating or blistering due to excessive wear, sun fading or scouring due to cleaning. All supporting equipment, motors, electronic controls, faucet, waste and overflow, and all plated finishes, are covered by limited ten (10) year Warranty. This warranty is nontransferable and applies only to the original owner.

The Manufacturer will not be responsible for any water damage to structures or property for any reason including but not limited to manufacturer defects or improper installation. Manufacturer will assume no responsibility for the loss of the system, inconvenience due to loss, damage to real or personal property or any other consequential damage. Manufacturer will not be liable for any incidental expenses or material charges in connection with removal or replacement of the purchased part or any part or parts of the System.

This warranty shall not apply to any type of failure resulting from negligence, abuse, misuse, misapplication, improper installation, alteration or modification, chemical corrosion or improper maintenance. There will be a charge for replacement parts or replacement of the entire electrical unit if the defective unit is returned for any of the reasons listed above. NOTE: within the limited ten (10) year warranty, there will be a prorated charge for any electrical and plated replacements parts, including shipping and handling charges.

Manufacturer reserves the sole authority to make any type of warranties or representations concerning its products and will not be responsible for any warranties or representations made by any outside source, including dealers, retailers, distributors or contractors.

Manufacturer does not warrant the installation of any of our products including Walk-In-Baths, shower pans or shower stalls. Items include all plumbing or electrical related connections. Improper or negligent installation of the product or other components, alteration made of, or alterations or modifications to the System, may cause the product or the System to malfunction. Such problems are not covered by warranty.

Section II. DOOR SEAL manufacturer warrants the door seal for the life of the unit under normal use and conditions. This warranty shall not apply to any failure resulting from negligence, abuse, misuse, misapplication, alteration, or modification or improper maintenance. The replacement door seal will be issued to the end user and it will be the responsibility of the end user to determine the means of installation. Manufacturer will not be liable for any incidental expenses or material charges in connection with removal or replacement of the door seal.

INSTALLATION MANUAL

TO THE EXTENT PERMITTED BY LAW, ALL IMPLIED WARRANTIES INCLUDING THOSE OF MERCHANTABILITY AND FITNESS FOR A PARTICULAR PURPOSE ARE HEREBY DISCLAIMED. ACCESS TUB AND SELLER HEREBY DISCLAIM ANY LIABILITY FOR SPECIAL, INCIDENTAL, OR CONSEQUENTIAL DAMAGES. Some states/provinces do not allow limitations on how long an implied warranty lasts, or the exclusion or limitation of special, incidental or consequential damages, so these limitations and exclusions may not apply to you. This warranty gives you specific legal rights. You may have other rights, which vary from state/province to state province.

ACCESS TUB
100 East Mineola Avenue, Valley Stream New York 11580